

Manual change-over 2M-AC

spectro**tec**



Change-over 2M-AC

Product features

- Manual change-over with 3/2-way ball valve for acetylene pressure control panels
- Designed for easy installation
- Modular design to be extended to 2x2, 2x3 etc. cylinders / bundles
- 2 high pressure gauges
- Pressure control panel comply with DIN-EN-ISO 14114 and DIN-EN-ISO 15615

Technical data

Inlet pressure P_1 max. 25 bar

Materials

Body connection block: brass
Body ball valve: stainless steel
Mounting plate: stainless steel
Connecting pipe: steel, zinc plated

Connectors

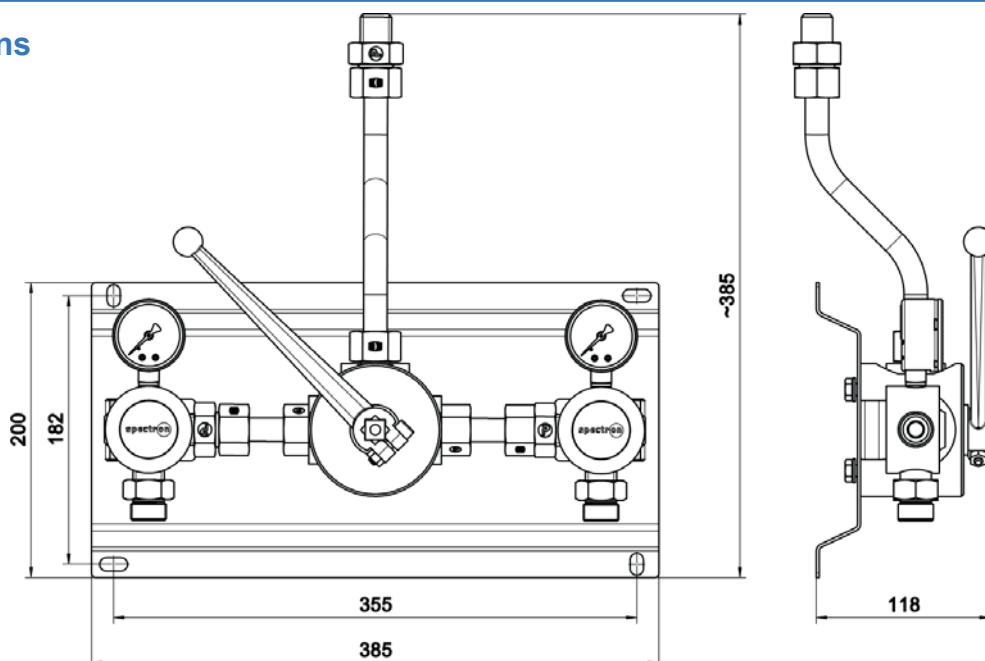
Inlet
-connection block (bottom): G 3/4" LH male
-connection block (side): 1/2"-NPT female
Outlet: M24x1,5 female
Pressure gauge port: 1/4"-NPT female

Temperature range -20°C to +60°C

Leak rate $\leq 10^{-4}$ mbar l/s He

Weight 7,5 kg

Dimensions



Automatic change-over 2P-AC

spectro**tec**



Change-over 2P-AC

Product features

- Automatic change-over with pneumatic 3/2-way ball valve for acetylene pressure control panels
- Limit position switch for ATEX zone 1+2
- Designed for easy installation
- Modular design to be extended to 2x2, 2x3 etc. cylinders / bundles
- 2 high pressure gauges or inductive contact pressure gauges for ATEX zone 1+2
- 2 pressure transmitters for ATEX zone 1+2
- Pressure control panel comply with DIN-EN-ISO 14114 and DIN-EN-ISO 15615
- Suitable controller: FS4

Technical data

Inlet pressure P_1	max. 25 bar
Materials	
Body connection block:	brass
Body ball valve:	stainless steel
Mounting plate:	stainless steel
Connecting pipe:	steel, zinc plated
Connectors	
Inlet	
-connection block (bottom):	G 3/4" LH male
-connection block (side):	1/2"-NPT female
Outlet:	M24x1,5 female
Pressure gauge ports:	1/4"-NPT female
Pilot air:	M12x1 for hose diameter DN5
Pilot pressure	5,6 bar
Temperature range	-20°C to +60°C
Leak rate	$\leq 10^{-4}$ mbar l/s He
Weight	9,7 kg

Dimensions

