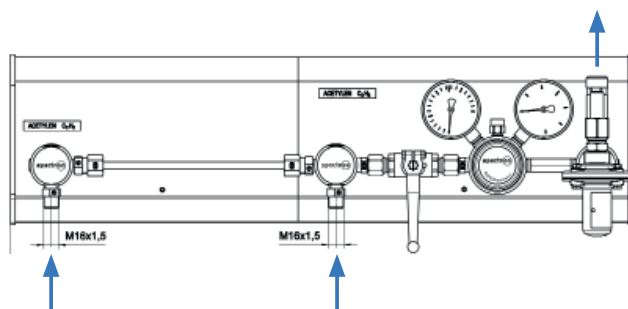


Pressure control panel BM65AC

spectro lab



Pressure control panel BM65AC-1-M-KH



BM65AC-1-M-KH with BM65AC-E-LH-CB

Product features

- Wall-mounting pressure control panel for acetylene
- Single-stage system for 1 or 2 cylinders
- Laboratory-style design
- Ergonomically designed
- Pressure regulator with high control accuracy and integrated relief valve for protection of the device
- Pressure control panels comply with DIN-EN-ISO 14114* and DIN-EN-ISO 15615
- Quick-acting shut-off device (manual) or
- Quick-acting shut-off device SSE (automatic) or
- Acetylene Safety Guard ASG
- Flashback arrestor
- Over-pressure valve **
- Designed for easy installation
- Suitable for inlet pressure values up to 25 bar
- Compact design especially for installations into safety cabinets for gas cylinders

Technical data

Type	single-stage
Inlet pressure P_1	max. 25 bar
Outlet pressure P_2	1,5 bar
Materials	
Body regulator and connection block:	brass
Valve cone regulator:	PA
Diaphragm regulator:	EPDM
Ball valve:	steel, zinc-plated
Connectors	
Inlet:	M16x1,5 male
Outlet flashback arrestor:	1/4"-NPT female
Outlet relief valve:	1/8"-NPT female
Outlet over-pressure valve:	welding stub 14x2
Pressure gauges	Safety press. gauges ISO5171/KI.2.5/NG63
Temperature range	-20 to +60°C
Leak rate	$\leq 10^{-4}$ mbar l/s He
Weight	BM65AC-1: ca. 6 kg BM65AC-2: ca. 7 kg

* This applies under the following conditions:
SSE or ASG in the inlet and
main shut-off valve in the outlet

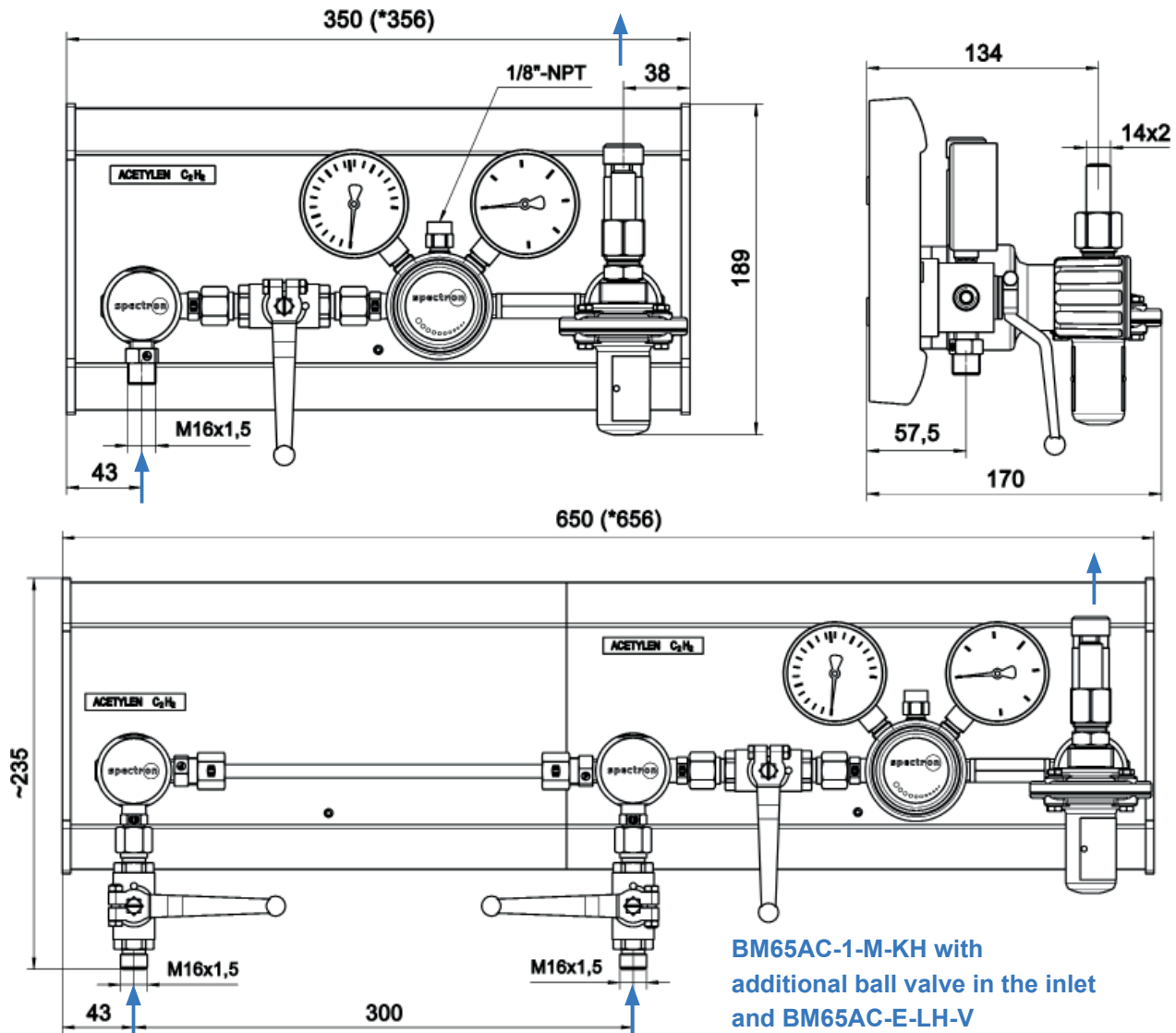
** An over-pressure valve is not considered to be a safety accessory according to the Pressure Equipment Directive 2014/68/EC (PED).

Flow rates Q [m³/h] Acetylene

The withdrawal rate should not exceed approx. **0.5 Nm³/h per cylinder** in permanent operation, so no solvent from the cylinder will enter the withdrawal system. However, the flow rate may be increased to approx. 1 m³/h for brief peak loads.

P ₁ [bar]	F2	
	P ₂ [bar]	Q [m³/h]
18	1,15	1
10	1,22	1
7	1,22	1
4	1,22	1

Dimensions and connectors



Ordering information: Pressure control panel BM65AC

BM65AC - 1 - M - KH

Type

1 panel for 1 cylinder
 A panel for 2 cylinders requires the extension BM65-E-AC and with the version V a ball valve for the inlet of the panel.

Inlet pressure indication

M pressure gauge
 K contact pressure gauge
 PT contact pressure gauge

Quick acting shut-off

KH manual quick acting shut-off device (ball valve)
 SSE automatic quick acting shut-off device
 ASG Acetylene Safety Guard