

Tapping point pressure regulator ET2000 with flow indication

spectro**tec**



ET2000-40-FL30



ET2000-40-2FL30



ET2000-DM16

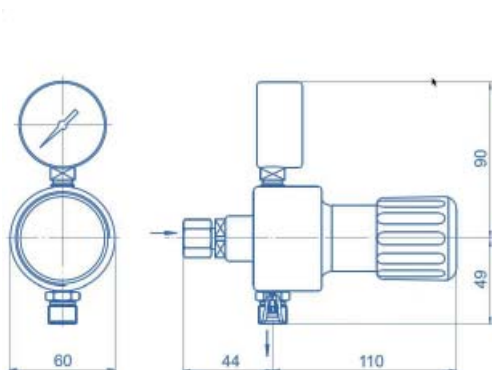
Product features

- Tapping point pressure regulator with flow indication (flowmeter or flow gauge)
- For non-corrosive industrial gases
- Gas specific orifice in the outlet with flow gauge version
- Approved for use with oxygen
- Single-stage type with high control accuracy
- Central filter in the pressure regulator
- Safety pressure gauge acc. to DIN EN ISO 5171
- Compact design
- Low weight

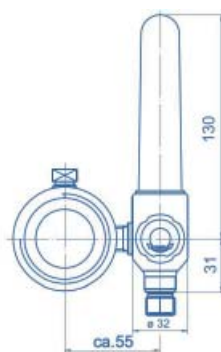
Technical data

Type	single-stage
Inlet pressure P_1	max. 40 bar
Indication range	0,2 - 30 l/min.
Materials	
Body:	brass
Diaphragm:	EPDM
Valve cone:	PA
Protection cap:	polycarbonate
Connections	
Inlet NFG, O2:	G 3/8" union nut
FG:	G 3/8"LH union nut
Outlet NFG, O2:	G 1/4" + gland 6mm
FG:	G 3/8"LH + gland 9mm
Temperature range	-20°C to +60°C
Leak rate	$\leq 10^{-4}$ mbar l/s He
Weight	ET2000 DM: 1,3 kg
	ET2000 FL: 1,4 kg
	ET2000 2FL: 1,8 kg

Dimensions



Flowmeter for pressure regulator ET2000



indication [l/min.]	medium	pressure P_2
FL 5: 1 - 5	argon	1,4 bar
FL 16: 2 - 16	Ar-CO ₂ nitrogen Ar-H ₂	4 bar
FL 30: 5 - 30	forming gas	
FL 35: 5 - 35	Ar-CO ₂	
FL 45: 10 - 45	nitrogen	
FL 50: 5 - 50	hydrogen	