

Tapping points ET2000V



Tapping points ET2000V

Product features

- Tapping points for wall mounting
- Gas supply from top or bottom
- For non corrosive technical gases
- Approved for use with oxygen
- Single-stage type with high control accuracy
- Outlet pressure limitation by special adjustment
- Central filter in the regulator
- Safety pressure gauge acc. to DIN EN ISO 5171
- Compact design

Technische Daten

Type	single-stage
Inlet pressure P₁	max. 40 bar max. 1,5 bar (acetylene)
Max. outlet pressure P₂	1,5 / 2,5 / 10 / 20 bar
Materials	
Body:	brass
Diaphragm:	EPDM
Valve cone:	PA
Connectors	
Inlet valve:	G 1/2" + soldering or welding stub
Outlet NFG, O ₂ :	G 1/4" + gland 6mm
FG, C ₂ H ₂ , Flux:	G 3/8"LH + gland 9mm
Temperature range	-20°C to +60°C
Leak rate	≤10 ⁻⁴ mbar l/s He
Weight	ca. 2,2 kg

Flow rates Q [m³/h] ET2000

The table below indicates approximate values for the flow rate in standard cubic meters of air at the indicated operating conditions. The flow rates for other gas types may be calculated using the conversion factors from the table on the right.

For detailed flow rate calculations please refer to our data sheet "Performance diagram".

Inlet pressure P ₁ [bar]	Flow rate Q at P ₂ [bar] for air					
	0,5	1	3	6	10	20
40	5	15	30	40	50	60
20	5	15	20	25	30	-
10	5	15	15	15	-	-
5	5	10	10	-	-	-

Inlet pressure P ₁ [bar]	Flow rate Q at P ₂ [bar] for air		
	0,3	0,5	1
1,3	0,2	0,5	1

Conversion factors

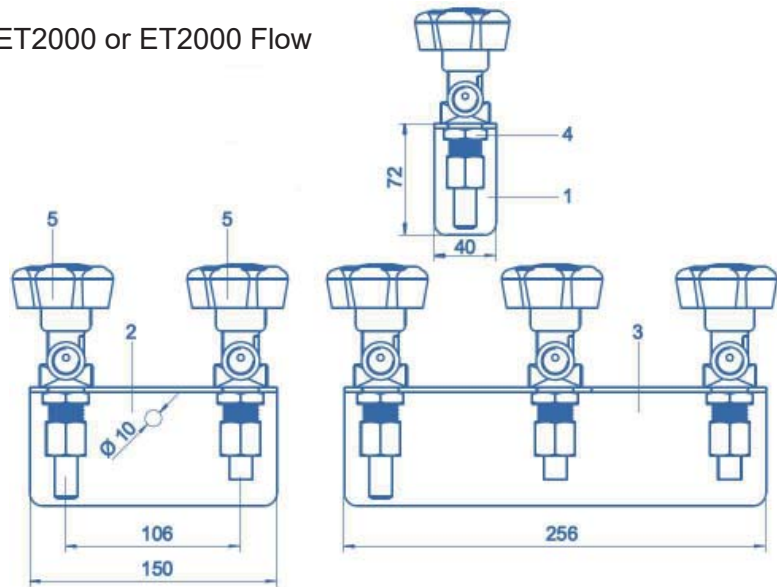
Gas type	factor
Argon	0,85
Helium	2,69
Carbon dioxide	0,81
Oxygen	0,95
Nitrogen	1,02
Hydrogen	3,79

Performance factor L₁₀ = 3

Dimensions, connections and part numbers

Pressure regulators: see data sheets ET2000 or ET2000 Flow

Bracket and lock nut		
for	part no.	pos.
1 valve	66612340	1+4
2 valves	71834311	2+4
3 valves	71834312	3+4



Shut-off valve (inlet G 1/2"RH male)		
gas type	part no.	pos.
oxygen + non flammable gases G 3/8"RH	71803095	5
acetylene G 3/8"LH	71803096	5
flammable gases G 3/8"LH	71803097	5

Connections for valve inlet G 1/2"				
pipe Ø	stub	union nut	part no.	pos.
12x1 copper	soldering stub	union nut G 1/2"	66612327	6+8
15x1 copper	soldering stub	union nut G 1/2"	71825103	6+8
14x2 steel	welding stub	union nut G 1/2"	71825971	7+8

Safety devices			
gas type	thread	part no.	pos.
oxygen	G 1/4"	0463291	9
oxygen	G 3/8"	0463330	9
flammable	G 3/8"LH	0463290	9

Elbow f. flammable gas 2x G 3/8"LH		
gas type	part no.	pos.
flammable	05308240	10

The valve can be mounted upside down, if the gas supply comes from top.

