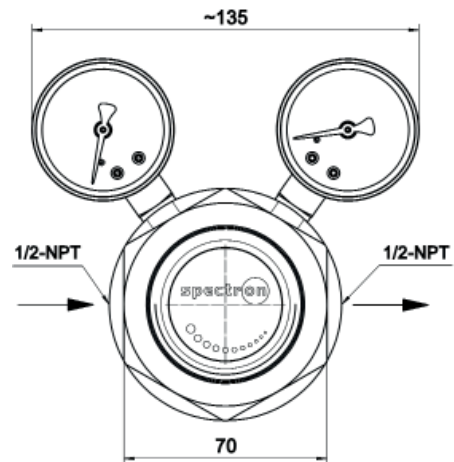


# Line pressure regulator LE81

spectron



Pressure regulator LE81



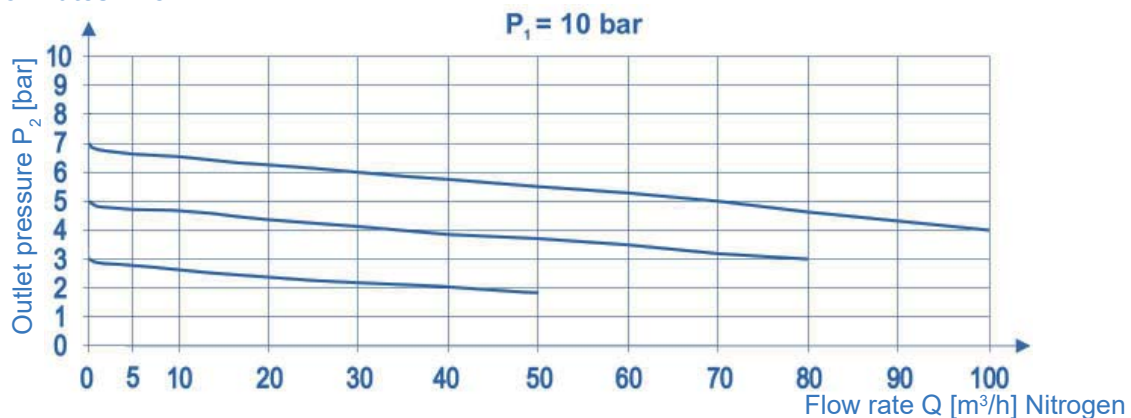
## Product features

- Single-stage line pressure regulator for corrosive gases, toxic gases and gas mixtures up to quality 6.0
- High control accuracy
- New laboratory style design
- Ergonomic design
- Suitable for ECD applications
- Outlet pressure limitation by special locking
- Hastelloy diaphragm
- Powder coated bonnet

## Technical data

<b>Inlet pressure <math>P_1</math></b>	max. 50 bar
<b>Outlet pressure <math>P_2</math></b>	max. 1,5 / 4 / 10 bar
<b>Materials</b>	
Body:	SS 316L (SS 1.4404)
Diaphragm:	Hastelloy C276
Valve seat:	PTFE
<b>In- / outlet</b>	1/2"-NPT female
<b>Pressure gauge connection</b>	1/4"-NPT female
<b>Temperature range</b>	-20°C to +60°C
<b>Leak rate</b>	$\leq 10^{-8}$ mbar l/s He
<b>Weight</b>	1,9 kg

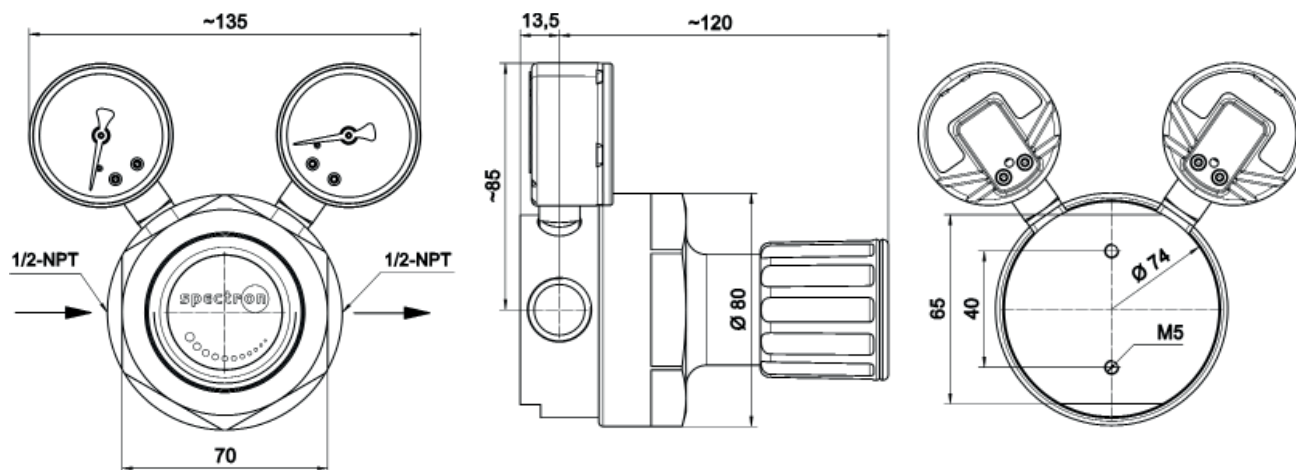
## Flow rates LE81



# Line pressure regulator LE81

spectro**cem**

## Dimensions LE81



## Ordering information: Line pressure regulator LE81

**LE81 - 50 - 10 - M - M - N2**

### Inlet pressure $P_1$

**50** max. 50 bar

### Outlet pressure $P_2$

**1,5** max. 1,5 bar  
**4** max. 4 bar  
**10** max. 10 bar

### Type of gas

Please specify type of gas!

### Outlet pressure indication

**B** without (plug)  
**M** pressure gauge  
**0** 1/4"-NPT port only

### Inlet pressure indication

**B** without (plug)  
**M** pressure gauge  
**0** 1/4"-NPT port only

## Specifications:

- Spectrochem components guarantee maximum quality by using high grade materials and a quality assurance program acc. to ISO 9001.
- All components which come into contact with the medium are cleaned in an ultrasonic cleaning system (CFC-free) with the special cleaning process Spectroclean® and are then baked out.
- Spectrochem components undergo a 100% function- and Helium-leak test.