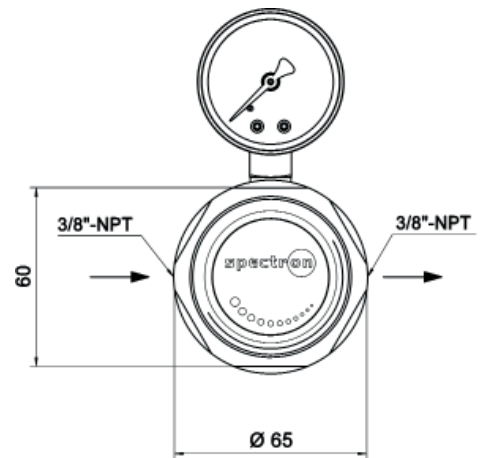


# Line pressure regulator LM71

spectron lab



Line pressure regulator LM71



Dimensions

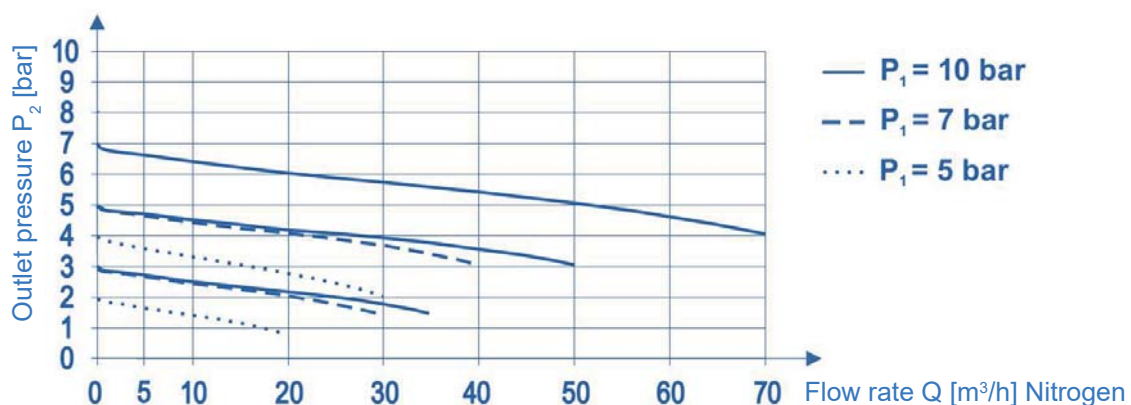
## Product features

- Single-stage line pressure regulator for non-corrosive gases and gas mixtures up to quality 6.0
- Laboratory style design
- High control accuracy
- Suitable for ECD applications
- Outlet limitation by special locking
- Hastelloy diaphragm
- Powder coated bonnet

## Technical data

<b>Inlet pressure <math>P_1</math></b>	max. 50 bar
<b>Max. outlet pressure <math>P_2</math></b>	1,5 / 4 / 10 / 20 bar
<b>Materials</b>	
Body:	brass, chrome plated
Diaphragm:	Hastelloy C276
Valve seat:	PTFE
<b>In- / outlet</b>	3/8"-NPT female
<b>Pressure gauge connection</b>	1/4"-NPT female
<b>Temperature range</b>	-20°C to +60°C
<b>Leak rate (to atmosphere):</b>	≤ 10 <sup>-8</sup> mbar l/s He
(via seat):	≤ 10 <sup>-6</sup> mbar l/s He
<b>Weight</b>	1,5 kg

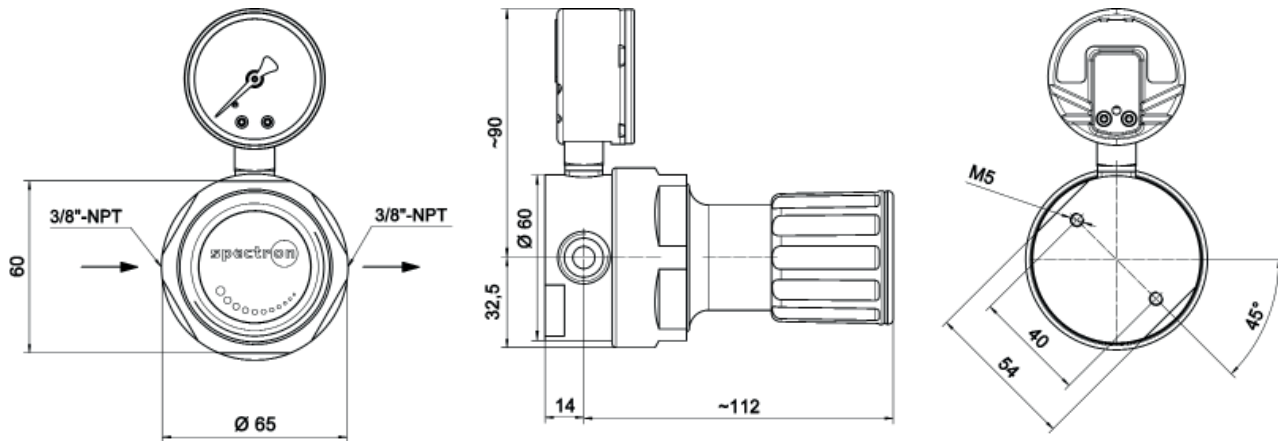
## Flow rates LM71



# Line pressure regulator LM71

spectro lab

## Dimensions LM71



## Ordering information: Line pressure regulator LM71

**LM71 - 50 - 4 - 0 - M - 0 - N2**

### Inlet pressure $P_1$

**50** max. 50 bar

### Outlet pressure $P_2$

**1,5** max. 1,5 bar  
**4** max. 4 bar  
**10** max. 10 bar  
**20** max. 20 bar

### Type of gas

Please specify type of gas!

### Hinterdruckanzeige

**B** Blindstopfen  
**M** Manometer  
**0** 1/4\"-NPT-Port

## Specifications:

- Spectrolab components guarantee maximum quality by using high grade materials and a quality assurance program acc. to ISO 9001.
- All components which come into contact with the medium are cleaned in an ultrasonic cleaning system (CFC-free) with the special cleaning process Spectroclean® and are then baked out.
- Spectrolab components undergo a 100% function- and Helium-leak test.