

Line pressure regulator LT2000



Line pressure regulator LT2000-40-10-NFG



Line pressure regulator LT2000-300-25-NFG

Product features

- Ergonomically designed line pressure regulator
- For non corrosive technical gases
- Single-stage type with high control accuracy
- Central filter in the regulator
- Safety pressure gauge acc. to DIN EN ISO 5171
- Compact design
- Models for up to 300 bar inlet pressure
- Pressure regulator with integrated relief valve to protect the component for inlet pressure > 40 bar and outlet pressure ≤ 50 bar
- Piston type regulator for outlet pressure values of up to 50, 100 or 200 bar available

Technische Daten

Type	single-stage
Inlet pressure P_1	max. 40 / 300 bar
Outlet pressure P_2	
for $P_1 \leq 40$ bar:	max. 1,5 / 4 / 10 / 25 bar
for $P_1 > 40$ bar:	max. 10 / 25 / 50 / 100 / 200 bar
Materials	
Body:	brass
Diaphragm:	EPDM (Alkanes: NBR)
Piston ($P_2 > 25$ bar):	brass
Valve seat:	PA
Connectors	
In- / outlet:	1/4"-NPT female
Pressure gauge ports:	G 1/4" female
Outlet relief valve:	1/8"-NPT female
Temperature range	-20°C to +60°C
Leak rate	≤10 ⁻⁴ mbar l/s He
Weight	ca. 1,4 kg

Flow rates Q [m³/h] oxygen

The table below indicates approximate values for the flow rate in standard cubic meters of oxygen at the indicated operating conditions. The flow rates for other gas types may be calculated using the conversion factors from the table on the right.

For detailed flow rate calculations please refer to our data sheet "Performance diagram".

Inlet pressure P_1 [bar]	Flow rate Q at P_2 [bar]			
	1	2,5	4	10
40	15	30	40	50
20	15	20	25	30
10	15	15	15	-
5	10	10	10	-

Conversion factors

Gas type	factor
Argon	0,90
Helium	2,83
Carbon dioxide	0,85
Nitrogen	1,05
Hydrogen	4,00

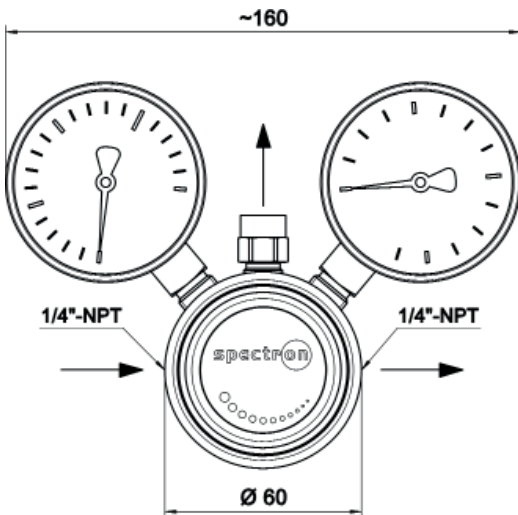
Performance factor $L_{10} = 3$

Line pressure regulator LT2000

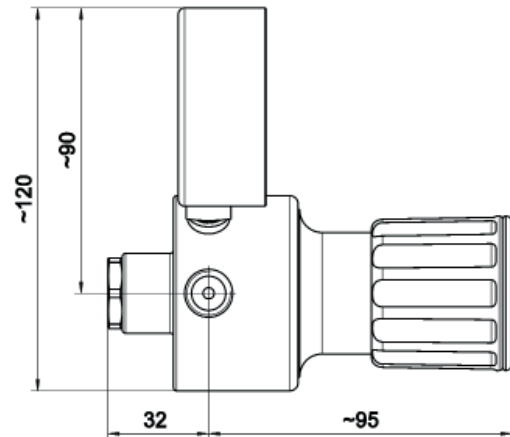
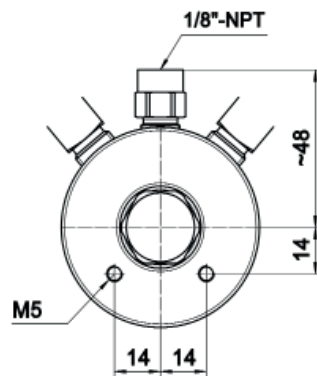
spectro**tec**

Dimensions

front and side view



rear view / mounting



Ordering information: Pressure regulator LT2000

LT2000 - 300 - 50 - NFG

Inlet pressure P_1

40	max. 40 bar
300	max. 300 bar

Outlet pressure P_2

1,5	max. 1,5 bar (only available for $P_1 \leq 40$ bar)
4	max. 4 bar (only available for $P_1 \leq 40$ bar)
10	max. 10 bar
25	max. 25 bar (T-bar instead of hand wheel for $P_1 > 40$ bar)
50	max. 50 bar (piston)
100	max. 100 bar (piston)
200	max. 200 bar (piston, not for oxygen)

In- and outlet fittings:
see data sheet "Fittings"

Gas type

NFG	non flammable gases
FG	flammable gases
O2	oxygen