

# Panel / Line regulator M52-4

spectron lab



Line pressure regulator LM52-4



Example: PM52 panel mounted

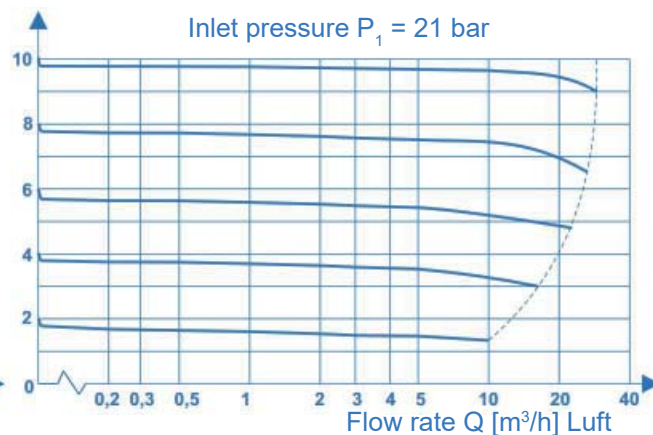
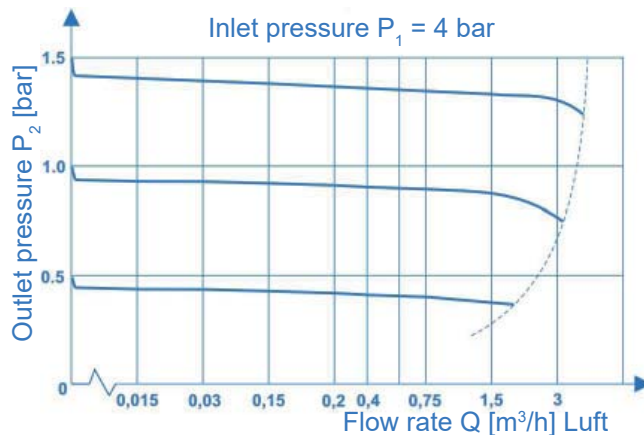
## Product features

- Single-stage line pressure regulator or for panel and panel surface mounting with compensated main valve and anti-vibration device
- For non-corrosive gases and gas mixtures up to quality 6.0
- 4 ports for flexible and individual configuration
- Very high control accuracy
- Metal-to-metal seal to atmosphere
- Central filter
- Approved for use with oxygen
- New laboratory-style design
- Suitable for ECD-applications
- Pressure regulator can be evacuated

## Technische Daten

<b>Inlet pressure <math>P_1</math></b>	max. 300 bar
<b>Max. outlet pressure <math>P_2</math></b>	1,5 / 4 / 10 / 20 bar
<b>Materials</b>	
Body:	chrome-plated brass
Diaphragm:	Hastelloy C276
Valve seat:	PA
Soft goods:	FPM, EPDM
Filter:	stainless steel 1.4404
<b>In- / outlets</b>	1/4"-NPT female
<b>Temperature range</b>	-20°C to +60°C
<b>Leakrate (to atmosphere):</b>	$\leq 10^{-8}$ mbar l/s He
(via seat):	$\leq 10^{-6}$ mbar l/s He
<b><math>C_v</math> value</b>	0,16
<b>Weight</b>	1,1 kg

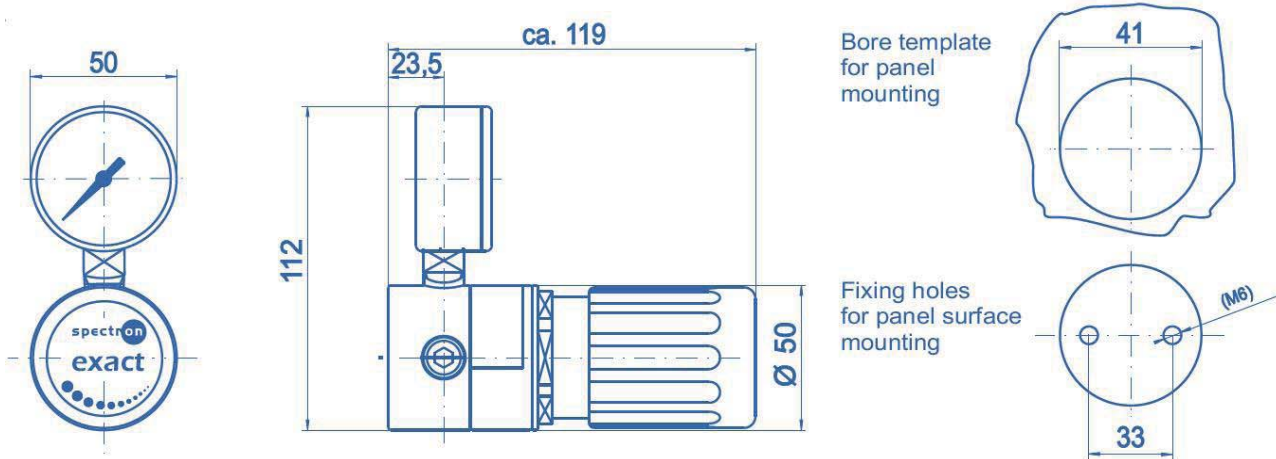
## Flow curves M52



# Panel / Line regulator M52-4

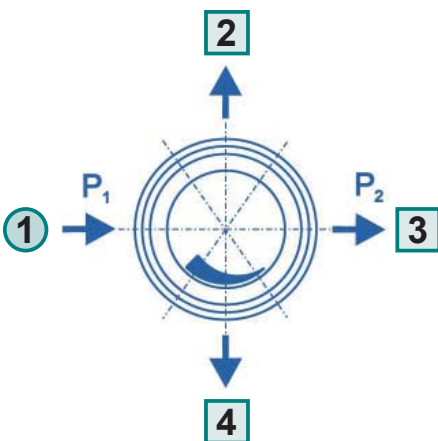
spectron lab

## Dimensions M52-4



## Ordering information:

### Pressure regulators M52-4



### In- / outlets

- CM 1/4 1/8" / 1/4" / 1/2"-compression fitting (brass)
- CM 6 3 / 6 / 8 / 10 / 12 mm - compression fitting (brass)
- CE 1/4 1/8" / 1/4" / 1/2"-compression fitting (stainless steel)
- CE 6 3 / 6 / 8 / 10 / 12 mm - compression fitting (stainless steel)
- B plug
- A relief valve - 1/4"-NPT-F ( $P_2 \leq 100$  bar)
- K contact pressure gauge
- M pressure gauge
- 0 1/4"-NPT-F (port only)

### Individual port selection

LM52 - 4 - 300 - 20 - 1 - 2 - 3 - 4 - H2

### Type

- L Line regulator
- P Panel regulator

### Inlet pressure $P_1$

- 100 max. 100 bar
- 200 max. 200 bar
- 300 max. 300 bar

### Outlet pressure $P_2$

- 1,5 max. 1,5 bar
- 4 max. 4 bar
- 10 max. 10 bar
- 20 max. 20 bar

### Gas type

Please specify gas type!

For inlet pressure up to 50 bar and outlet pressure of max. 1,5 or 4 bar please use M51.