

Panel / Line regulator M52-6

spectron lab



Line pressure regulator LM52-6



Example: PM52 panel surface mounted

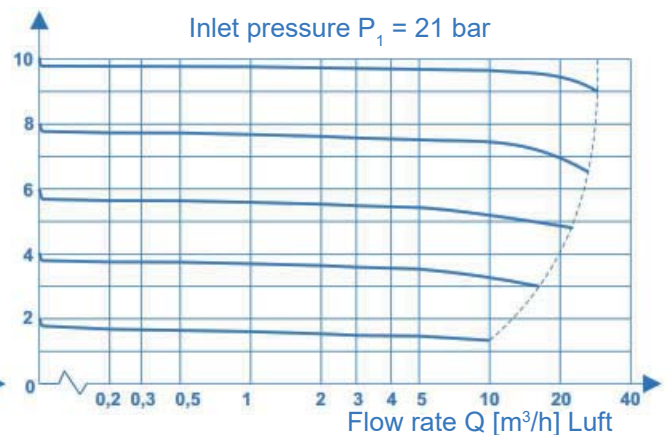
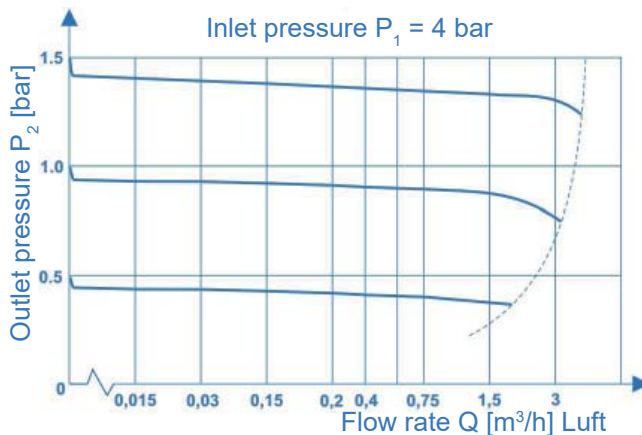
Product features

- Single-stage line pressure regulator or for panel and panel surface mounting with compensated main valve and anti-vibration device
- For non-corrosive gases and gas mixtures up to quality 6.0
- 6 ports for flexible and individual configuration
- Very high control accuracy
- Metal-to-metal seal to atmosphere
- Central filter
- Approved for use with oxygen
- New laboratory-style design
- Suitable for ECD-applications
- Pressure regulator can be evacuated

Technische Daten

Inlet pressure P_1	max. 300 bar
Max. outlet pressure P_2	1,5 / 4 / 10 / 20 bar
Materials	
Body:	chrome-plated brass
Diaphragm:	Hastelloy C276
Valve seat:	PA
Soft goods:	FPM, EPDM
Filter:	stainless steel 1.4404
In- / outlets	1/4"-NPT female
Temperature range	-20°C to +60°C
Leakrate (to atmosphere):	≤ 10 ⁻⁸ mbar l/s He
(via seat):	≤ 10 ⁻⁶ mbar l/s He
C_v value	0,16
Weight	1,1 kg

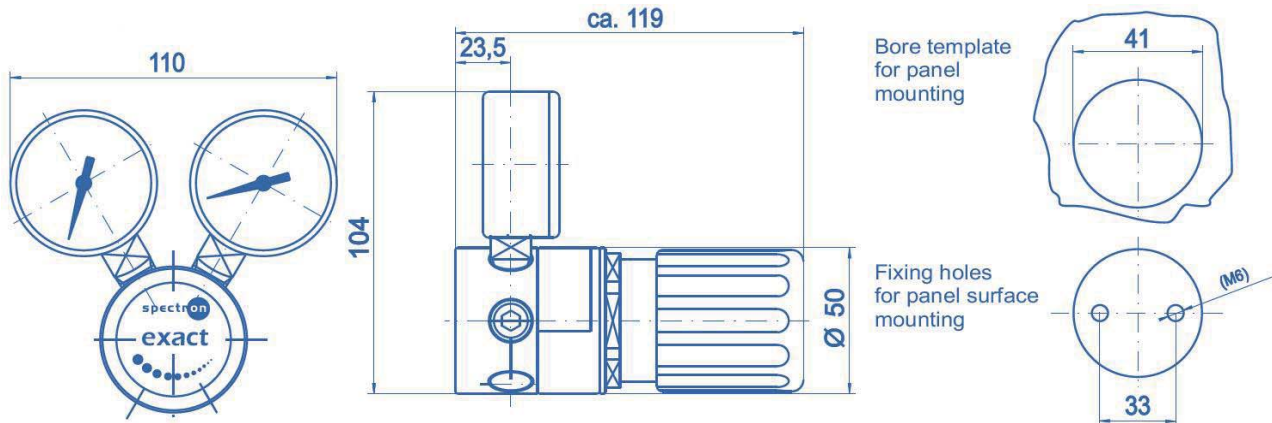
Flow curves M52



Panel / Line regulator M52-6

spectro lab

Dimensions M52-6

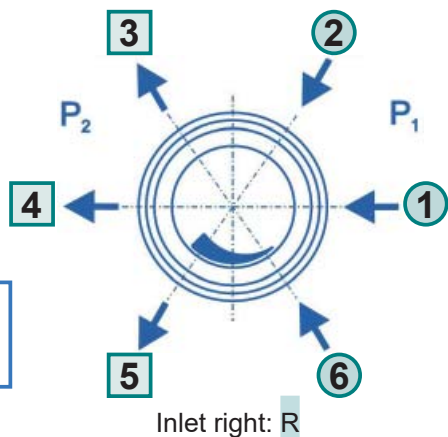
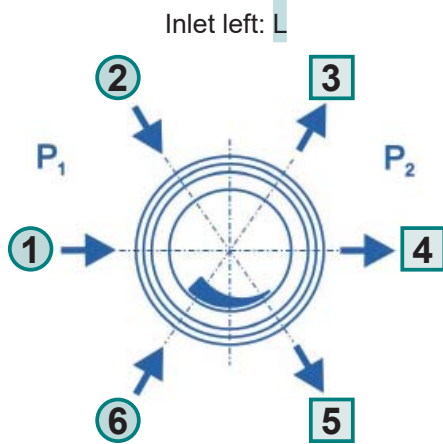


Ordering information:

Pressure regulators M52-6

In- / outlets

CM 1/4	1/8" / 1/4" / 1/2"-compression fitting (brass)
CM 6	3 / 6 / 8 / 10 / 12 mm - compression fitting (brass)
CE 1/4	1/8" / 1/4" / 1/2"-compression fitting (stainless steel)
CE 6	3 / 6 / 8 / 10 / 12 mm - compression fitting (stainless steel)
B	plug
A	relief valve - 1/4"-NPT-F ($P_2 \leq 100$ bar)
K	contact pressure gauge
M	pressure gauge
0	1/4"-NPT-F (port only)



LM52 - L - 300 - 20 - 1 - 2 - 3 - 4 - 5 - 6 - H2

Type

L	Line regulator
P	Panel regulator

Inlet

L	left
R	right

Inlet pressure P_1

100	max. 100 bar
200	max. 200 bar
300	max. 300 bar

Outlet pressure P_2

1,5	max. 1,5 bar
4	max. 4 bar
10	max. 10 bar
20	max. 20 bar

Gas type

Please specify gas type!

For inlet pressure up to 50 bar and outlet pressure of max. 1,5 or 4 bar please use M51.