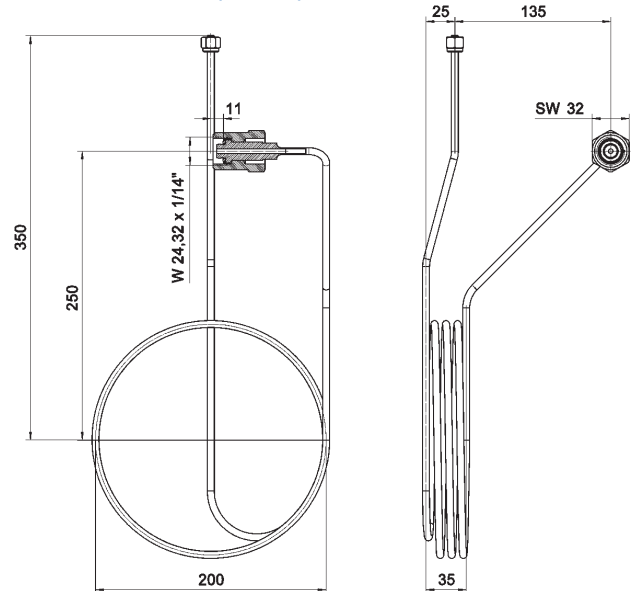




Pigtail SR-200-DIN 10-N₂ with 200 bar manual connection for DIN-cylinder valves (for non-corrosive gases)

Dimensions: pigtail with manual connection (200 bar)



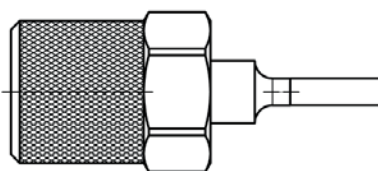
Product features

- Stainless steel-pigtail for the connection of a gas cylinder to BE/BM series pressure control panels
- For gases up to quality 6.0
- 4 windings for high flexibility in all directions
- Manual cylinder valve connector for easy installation and cylinder change without tools (for DIN-connectors for non-corrosive gases and CEN-connections only)
- Compact pigtails also suitable for gas cabinets or applications with other space constraints

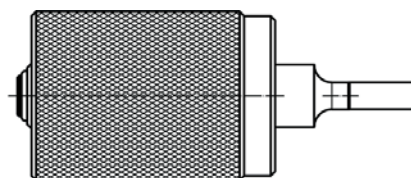
Technical data

| | |
|----------------------------|--|
| Nominal pressure | 200 / 300 bar |
| Nominal diameter | 4 mm |
| Materials | SS 1.4404 |
| Nut | brass |
| Leak rate | ≤ 10 ⁻⁸ mbar l/s He |
| Temperature range | -20 to +60°C |
| Cylinder connection | acc. to international standards and gas type |
| Outlet connection | compression ring fitting 6mm (stainless steel) |

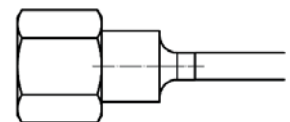
Cylinder connections



Cylinder valve connector with knurled nut for valves acc. to DIN 477 (for non-corrosive gases only)



Cylinder valve connector with knurled nut for 300 bar (CEN-connectors)



1/4"-NPT connector with internal thread for the installation of individual cylinder connectors (EURO-pigtail)

Ordering information: Pigtails for pressure control panels BM/BE

SR - 200 - DIN 10 - N2

Type

SR pigtail for pressure control panels series BM/BE

Gas type

Please specify gas type!

Nominal pressure

200 max. 200 bar
300 max. 300 bar (CEN)

Cylinder connection

Detailed description of the cylinder connection (e.g. BS no. 3 for 200 bar or ISO 30 for 300 bar)

Product features cylinder brackets

- Cylinder bracket to protect gas cylinders against falling and to position the cylinder

Technical data

Materials

Bracket: cast aluminium, blasted
Chain: zinc-plated steel

Depth T

20 l cylinder 130 mm
50 l cylinder 180 mm

Article no.

718.32028

Dimensions

Cylinder bracket in front and top view
right: chain

