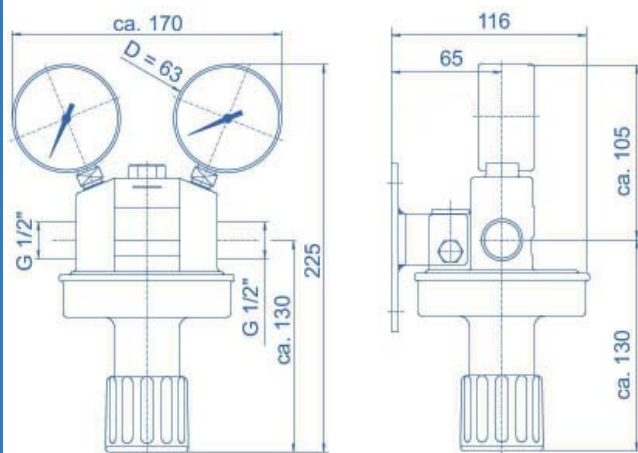


Pressure regulator U11AC

spectro**tec**



U11AC for acetylene



Dimensions

with wall bracket
512 07600

Product features

- Diaphragm line pressure regulator
- Specially for acetylene
- For flow rates up to 6 m³/h acetylene
- Single-stage with high control accuracy
- Central filter in the pressure regulator
- Safety pressure gauge acc. to DIN ISO 5171
- Wall bracket as accessory available

Attention:

For the pressure regulator U13 special outlet fittings with orifice holes have to be used to ensure a correct function of the regulator.
see: data sheet "Fittings"

Technical data

Type	single-stage
Flow rate Q	max. 6 m ³ /h
Inlet pressure P₁	max. 1.5 bar
Outlet pressure P₂	max. 1.5 bar
Materials	
Body:	brass
Bonnet:	Alu, powder coated
Valve seat:	PA
Diaphragm:	EPDM
Connections	
In- / outlet:	G 1/2" female
Pressure gauge ports:	G 1/4" female
Temperature range	-20°C to +60°C
Leak rate	≤10 ⁻⁴ mbar l/s He
Weight	ca. 2.5 kg

Flow rates and Performance factor

U11AC	Flow rate Q [m ³ /h] at P ₂ [bar]			
	0,5	1	1,2	1,5
P ₁				
1,5 bar	1	3	-	-
1,0 bar	2	4	5	6

Article number

U11W6L-AC-1,5-1,5 500 96960

Performance factor L₁₀ = 4