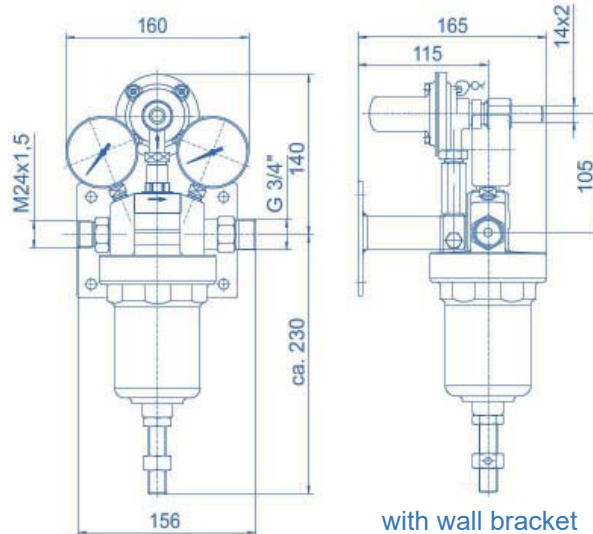


# Pressure regulator U13AC

spectro**tec**



U13AC for acetylene



Dimensions

with wall bracket  
718 25280

## Product features

- Diaphragm line pressure regulator
- Specially for acetylene
- For flow rates up to 120 m<sup>3</sup>/h acetylene
- Single-stage with high control accuracy
- Central filter in the pressure regulator
- Safety pressure gauge acc. to DIN ISO 5171
- Pressure regulator with integrated over-pressure valve SV73
- Wall bracket as accessory available

## Attention:

For the pressure regulator U13 special outlet fittings with orifice holes have to be used to ensure a correct function of the regulator.  
see: data sheet "Fittings"

## Technical data

<b>Type</b>	single-stage
<b>Flow rate Q</b>	max. 120 m <sup>3</sup> /h
<b>Inlet pressure P<sub>1</sub></b>	max. 25 bar
<b>Outlet pressure P<sub>2</sub></b>	max. 1.5 / 2.5 bar
<b>Materials</b>	
Body:	brass
Bonnet:	Alu, powder coated
Valve seat:	PA
Diaphragm:	EPDM
<b>Connections</b>	
Inlet:	M24 x 1.5
Outlet:	G 3/4" male
Pressure gauge ports:	G 1/4" female
Outlet over-pressure valve:	G 1/2" male with steel welding stub (ST35) 14 x 2 mm
<b>Temperature range</b>	-20°C to +60°C
<b>Leak rate</b>	≤10 <sup>-4</sup> mbar l/s He
<b>Weight</b>	ca. 4.5 kg

## Flow rates and Performance factor

U13AC	Flow rate Q [m <sup>3</sup> /h] at P <sub>2</sub> [bar]						
	P <sub>1</sub>	0,5	1	1,2	2	2,4	2,4
<b>18 bar</b>		85	90	95	100	120	120
<b>10 bar</b>		50	52	54	56	60	65
<b>4 bar</b>		21	21	22	22	33	35
<b>2 bar</b>		7	13	13	13	13	-

Performance factor L<sub>10</sub> = 5,5

## Article numbers

U13W6-AC-25-1,5      500 96810

U13W6-AC-25-2,5\*      717 09271

\* Construction and operation of facilities including pressure regulators with an outlet pressure of more than 1.5 bar must be approved by the responsible authorities (e.g. notified body).