

Pressure regulator U33




Pressure regulator U33



Pressure regulator U33
with pressure gauge

Product features

- Precision diaphragm pressure regulator
- For non-corrosive technical gases
- Single-stage with high control accuracy
- Safety pressure gauge according to DIN ISO 5171
- Self-venting pressure regulator for reducing the outlet pressure
- Filter in inlet fitting
- Accessories like wall bracket and in- / outlet fittings are also available

Technical data

Type	single-stage
Flow rate Q	max. 25 m ³ /h
Inlet pressure P₁	max. 10 bar
Outlet pressure P₂	max. 5 ... 1500 mbar
Materials	
Body:	Alu, powder coated
Bonnet:	Alu, powder coated
Valve seat:	NBR
Diaphragm:	NBR
Connections	
Inlet:	G 1/2" female
Outlet:	G 1/2" female
Pressure gauge ports:	G 1/4" female
Self-venting outlet:	1/8"-NPT female
Temperature range	-20°C to +60°C
Leak rate	≤10 ⁻⁴ mbar l/s He
Weight	ca. 2 kg

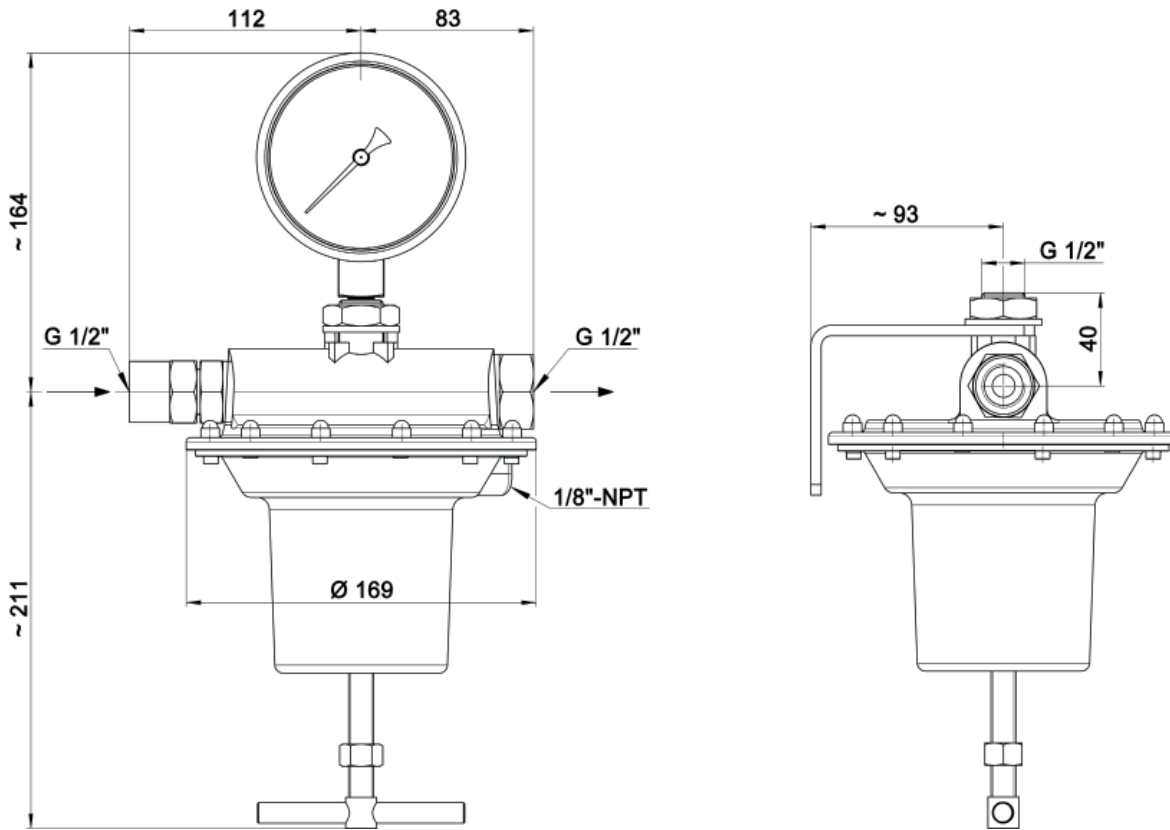
Performance factor and flow rates for pressure regulator U33 at inlet pressure P₁ = 10 bar

Max. Outlet pressure P ₂	Flow rate [air]
50 mbar	10 m ³ /h
100 mbar	18 m ³ /h
300 mbar	20 m ³ /h
600 mbar	23 m ³ /h
1500 mbar	25 m ³ /h

Performance factor L₁₀: 5,5

Pressure regulator U33

Dimensions and connections with wall bracket 717.06870 (as accessory available)



Ordering information: Pressure regulator U33

U33 - 0,3 - M - NFG

In- and outlet fittings:
see data sheet "Fittings"

Outlet pressure P_2

0,05	5 ... 50 mbar
0,3	30 ... 300 mbar
0,6	200 ... 600 mbar
1,5	400 ... 1500 mbar

Gas type

NFG	non flammable gases
FG	flammable gases
O2	oxygen

Press. gauge \varnothing 100 mm

M	with pressure gauge
0	without pressure gauge

Press. gauge Article no.

0 ... 100 mbar	770.50353
0 ... 400 mbar	770.50354
0 ... 1 bar	770.50355
0 ... 2,5 bar	770.50356
Gauge sealing:	452.08020