



Pressure regulator U42 F - G 1 1/4 m

### Product features

- Dome loaded diaphragm line pressure regulator
- For non corrosive industrial gases
- Remote controlled pressure regulation (e.g. process control or cutting machines)
- For flow rates up to 2.200 m<sup>3</sup>/h air
- Pressure control with separate gas by small pressure regulator ST2000
- Single-stage with high control accuracy
- Outlet pressure reduction by vent valve VV at pilot pressure regulator ST 2000
- Central filter in the pressure regulator
- Pressure regulator with integrated relief valve
- Wall brackets available as accessory
- Approved for use with oxygen

### Technical data

<b>Type</b>	single-stage
<b>Flow rate Q</b>	max. 2200 m <sup>3</sup> /h
<b>Inlet pressure P<sub>1</sub></b>	max. 40 bar
<b>Outlet pressure P<sub>2</sub></b>	max. 0,5 ... 30 bar
<b>Materials</b>	
Body:	brass
Valve seat:	PTFE
Diaphragm:	EPDM
<b>Connections</b>	
Inlet:	G 1 1/4 male
Outlet:	G 1 1/2" male
Pressure gauge ports (body):	G 1/4" female
Outlet relief valve:	G 3/4" female
<b>Temperature range</b>	-20°C to +60°C
<b>Leak rate</b>	≤10 <sup>-4</sup> mbar l/s He
<b>Weight</b>	ca. 14 kg

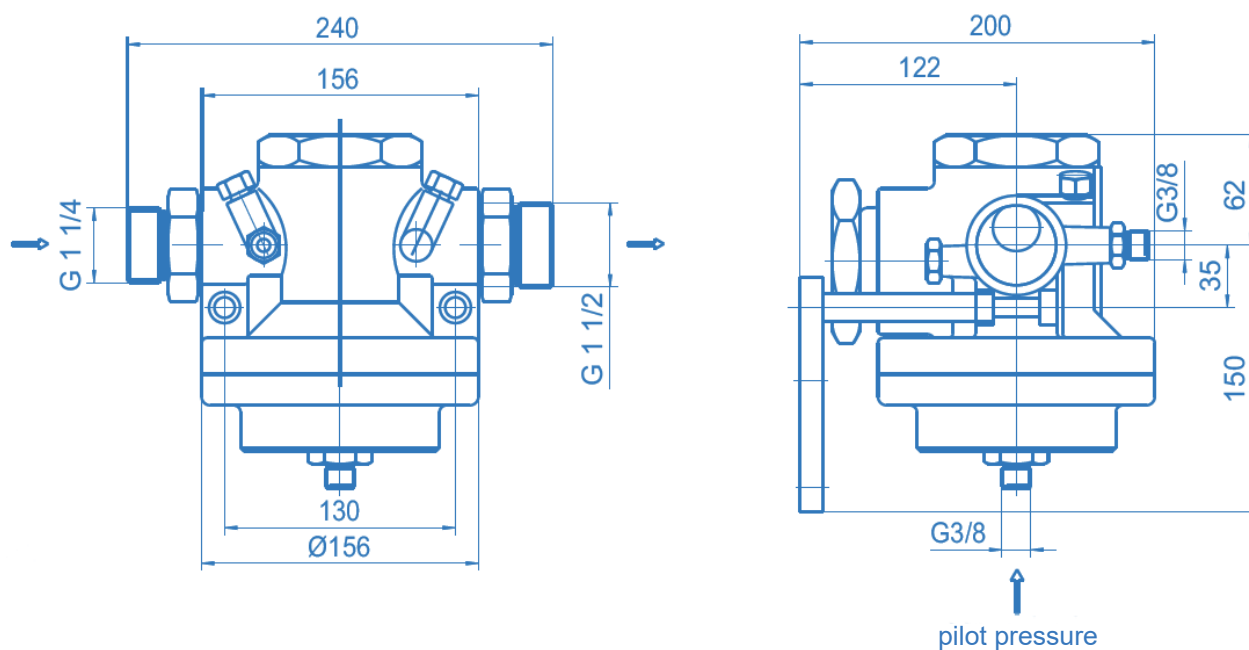
### Performance factors for evaluation of flow rates for pressure regulator U42 F

Performance factor	L <sub>5</sub> (5% pressure drop)	10
	L <sub>10</sub> (10% pressure drop)	11,5
	L <sub>max</sub>	13
Outlet pressure variations [%] relating to inlet pressure variation		5,0

The outlet pressure and accordingly the accuracy will be determined by the pilot pressure regulator ST2000 (see data sheet).

## Dimensions and connections

Dimensions with **wall bracket 512.45350**  
(as accessory available)



Ordering information: Pressure regulator U42F

**U42 F - G 1 1/4 m**

**In- and outlet fittings:**  
see data sheet "fittings"

**In- / outlet**

**Art. no.**

**G 1 1/4 m**

inlet: G 1 1/4" male

60BE0038

outlet: G 1 1/2" male

**Diagram for separate gas controlled dome loaded pressure regulator**

