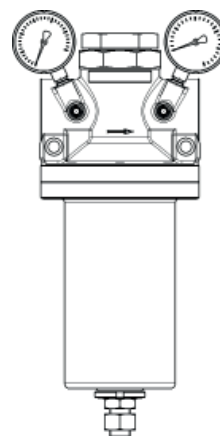


# Pressure regulator U47



Pressure regulator  
U47 W9 U-NFG-40-20



## Product features

- Diaphragm / piston pressure regulator
- For non-corrosive industrial gases
- Single-stage with high control accuracy
- High flow pressure regulator
- Central filter in the pressure regulator
- Safety pressure gauge acc. to DIN ISO 5171
- Pressure regulator with integrated relief valve
- Pressure regulator for oxygen with filter in inlet fitting
- Accessories like wall brackets and in-/outlet fittings are also available

\*Pressure regulator with special soldered inlet fitting  
Not suitable for oxygen!

## Technical data

<b>Type</b>	single-stage
<b>Flow rate Q</b>	max. 2.000 m <sup>3</sup> /h
<b>Inlet pressure P<sub>1</sub></b>	max. 16 / 40 / 200 / 250* / 300* bar
<b>Outlet pressure P<sub>2</sub></b>	max. 150 bar see table below
<b>Materials</b>	
Body:	brass
Bonnet:	Alu (powder coated)
Valve seat:	PTFE
Diaphragm P <sub>2</sub> max. 40 bar:	W6: NBR / W9: EPDM
Piston P <sub>2</sub> > 40 bar:	brass
<b>In- and outlets</b>	
Inlet:	G 1 1/2" female
Outlet:	G 1 1/2" female
Pressure gauge ports:	G 1/4" female
Outlet relief valve:	G 3/4" female
<b>Temperature range</b>	-30°C to +60°C
<b>Leak rate</b>	<10 <sup>-3</sup> mbar l/s He
<b>Weight</b>	ca. 14,5 kg

## Performance factors and outlet pressures to find the flow rates of the pressure regulators U47

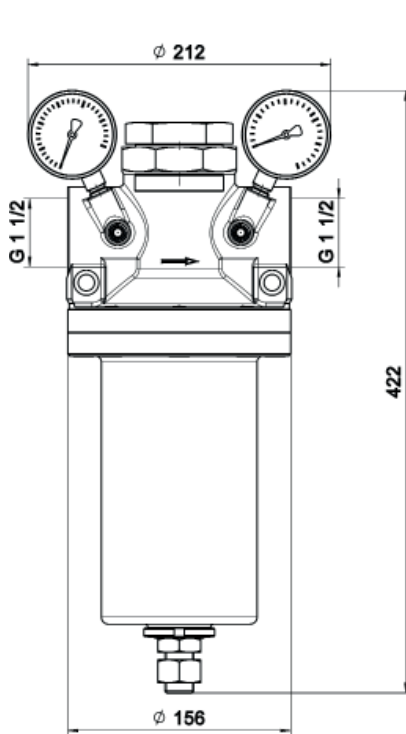
Series		U47W9				U47W6	U47K3	
Type		K	S	T	U	F	B	C
Performance factor	L <sub>5</sub> (5% pressure drop)	7	8,5	9,5	9,5	4,5	4,5	5,5
	L <sub>10</sub> (10% press. drop)	8,5	10	11	11	6	6	7
	L <sub>max</sub>	9	11	11	11	7,5	7,5	8,5
Outlet pressure P <sub>2</sub> [bar]	at 16 bar inlet press.	-	4	-	-	-	-	-
	at 40 bar inlet press.	25	-	13	20	-	-	-
	at 200 bar inlet press.	25	-	-	-	40	100	150
Outlet pressure variations [%] relating to inlet pressure variation		1,5	5			3	5	5

# Pressure regulator U47

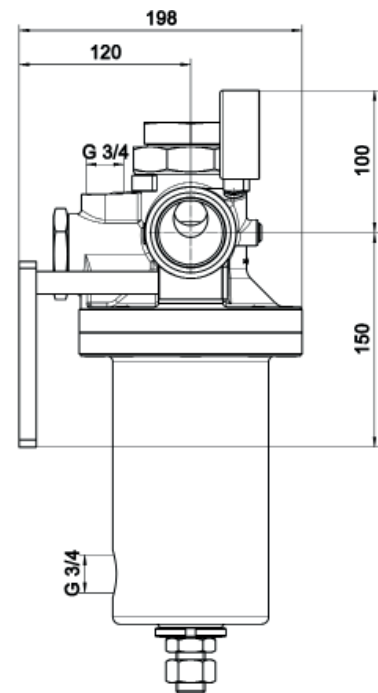
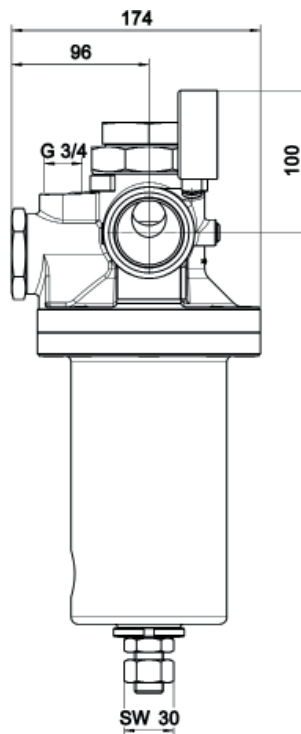


## Dimensions and connections

Dimensions (front- and side view)



Dimensions with wall bracket 512.45350  
(as accessory available)



### Ordering information: Pressure regulator U47

**U47 W9 K - NFG - 200**

In- and outlet fittings:  
see data sheet "Fittings"

#### Type

See table "Performance factors ..."  
on page 1

#### Type of gas

**NFG** non flammable gases  
**FG** flammable gases  
**O2** oxygen

#### Inlet pressure $P_1$

**16** max. 16 bar  
**40** max. 40 bar  
**200** max. 200 bar  
**250** max. 250 bar\*  
**300** max. 300 bar\*

\* Pressure regulator with special  
soldered inlet fitting  
Not suitable for oxygen!